

Trailer Brakes

HUSKY
TOWING PRODUCTS



HUSKY Replacement Brake Assembly Kits

Save time and money by installing Husky Brake Assemblies. Why replace shoes, magnets, springs, adjusters, etc.? If you have to replace two or more of these components, it is easier and more economical to install the complete assembly. With Husky, you get back on the road fast!

HUSKY REPLACEMENT ELECTRIC BRAKE ASSEMBLY KITS

FOR AXLE TEK, DEXTER, FAYETTE, HAYES & ALKO ELECTRIC BRAKES

Reduce precious time and aggravation on difficult brake repairs by using Husky easy to install complete brake assembly kits. These **CSA certified** kits provide durability, and reliability in braking performance. These kits fit Axle Tek, Dexter, Fayette, and Hayes, with these flange patterns: 3" hole diameter x 4-holes x 4" bolt center on 7" and 10" brakes; 3.25" hole diameter x 5-holes x 3.88" bolt center on 12" brakes. All kits are individually boxed.

Description	Part #
Electric Brake Assembly, 7" x 1-1/4", 600-2200# Axle Capacity	
LH Complete	30789
RH Complete	30788
Electric Brake Assembly, 10" x 2-1/4", 2300 -3500# Axle Capacity	
LH Complete	30793
RH Complete	30794
Electric Brake Assembly, 12" x 2", 4000-6000# Axle Capacity	
LH Complete	30799
RH Complete	30800
Electric Brake Assembly, 12" x 2" 7000# Axle Capacity	
LH Complete	30797
RH Complete	30798



Brakes manufactured by Axle Teknology for Husky are CSA Certified (CSA master contract #239634)

HUSKY BRAKE ASSEMBLY KITS REPLACE:

- AXLE TEK
- ALKO
- ATWOOD
- DEXTER
- FAYETTE
- HAYES

HUSKY REPLACEMENT HYDRAULIC BRAKE ASSEMBLY KITS

FOR AXLE TEK, ATWOOD, ALKO, DEXTER HYDRAULIC BRAKES

Easy installation and interchangeability are just two features that rate Husky Uni-servo hydraulic brake assemblies among the best in the industry. These assemblies interchange with most major brands of axles, without modifying the axle or mounting flange. These assemblies also interchange with Atwood, Axle Tek, and Dexter hydraulic brake assemblies. Hub Pattern: 3" x 4-holes on 10" brakes; 3.25" x 5-holes on 12" brakes. All kits are individually boxed.

Description	Part #
Hydraulic Brake Assembly, 10" x 2.25" 3500# Rated Axle Capacity	
LH Complete, Black Painted	30785
RH Complete, Black Painted	30784
Hydraulic Brake Assembly, 12" x 2", 6000# Rated Axle Capacity	
LH Complete, Black Painted	30786
RH Complete, Black Painted	30787



Hydraulic



Manufactured for Husky by Axle Teknology.



HITCHES

ELECTRICAL

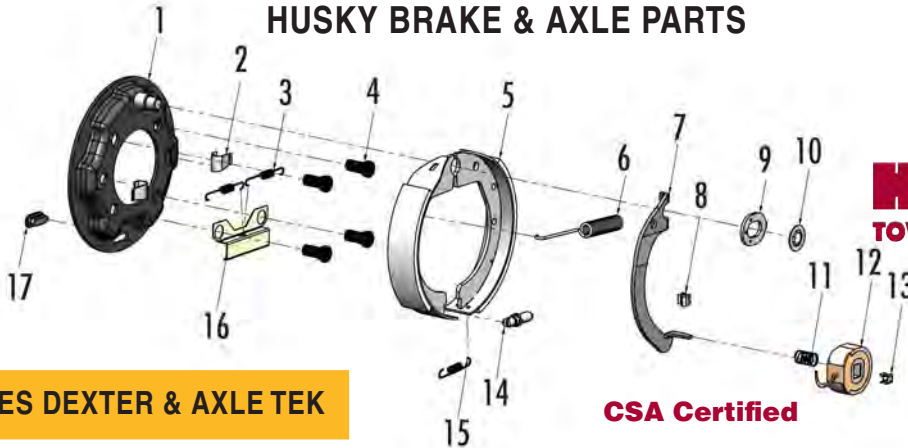
ACCESSORIES

RUNNING GEAR

PARTS/DISPLAYS

HUSKY INDEX

HUSKY BRAKE & AXLE PARTS



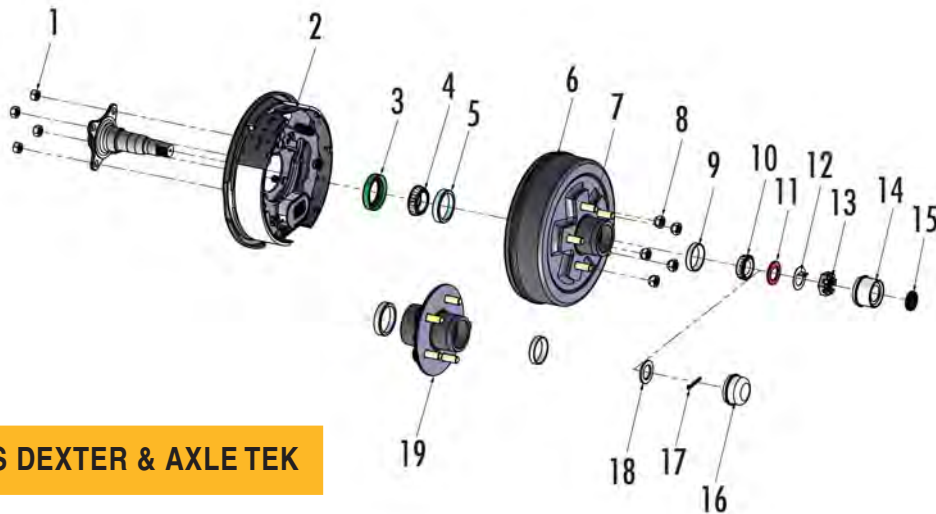
REPLACES DEXTER & AXLE TEK

CSA Certified

CSA Certified by Axle Technology
(CSA master contract #239634)

HUSKY QUALITY REPLACEMENT PARTS — AXLE TEK, DEXTER 7" x 1-1/4" ELECTRIC BRAKES

Order #	Mfr. #	Dexter #	Ref.	Qty./ Brake	Description
30789	#KB7E-01	K23-026-00		1	COMPLETE BRAKE ASSEMBLY LH
30788	#KB7E-02	K23-027-00		1	COMPLETE BRAKE ASSEMBLY RH
30816	#KB7E-05	K71-045-00	5 & 16	1	SHOE / LINING KIT
30827	#KBE-323-00	K71-323-00	14 & 15	1	ADJUSTING SCREW KIT
30817	#KB7E-06	K71-057-00	8, 11, & 12	1	MAGNET KIT
30824	#KBE-363-00	K71-363-00	3,6,11,& 15	1	SPRING KIT
30830	#KBE-321-00	5121	13	1	RETAINER CLIP PKG./10



REPLACES DEXTER & AXLE TEK

HUSKY QUALITY REPLACEMENT PARTS — AXLE TEK, DEXTER 7" x 1-1/4" & 7" x 1-3/4" HUBS-DRUMS AND IDLER HUBS, ELEC/HYD

Order #	Mfr. #	Dexter #	Ref.	Qty./ Brake	Description
95912	#DL150-20		3		GREASE SEALS, 1-1/2" ID, SLEEVE OF 20
95904	#L-44649-10		4		BEARINGS L44649, SLEEVE OF 10
30812	#L44649/10	K71-306-00	4 & 5	1	BEARING CONE & CUP L44610 / L44649
30812	#L44649/10	K71-306-00	9 & 10	1	BEARING CONE & CUP L44610 / L44649
31502	#DC-200	K71-314-00	16	1	2" DUST CAP
30790	#H-440S2-07	008-091-05	19	1	IDLER HUB 4.40" BC STUDS
30792	#KBD-54522-17	008-257-05	6	1	HUB-DRUM 5.45" BC ELEC. 1-1/4"
30791	#H-150S2-07	008-258-05	19	1	IDLER HUB 5-4.50" BC

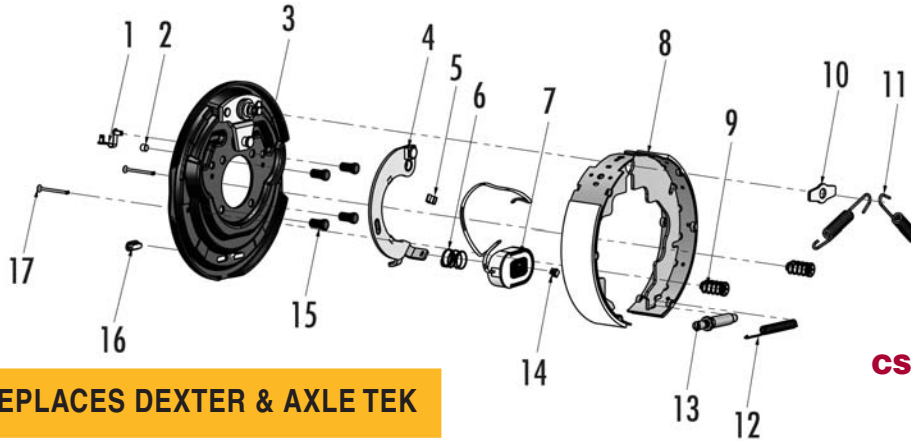
Manufactured for Husky by Axle Technology.

Trailer Brakes

HUSKY
TOWING PRODUCTS



HUSKY BRAKE & AXLE PARTS



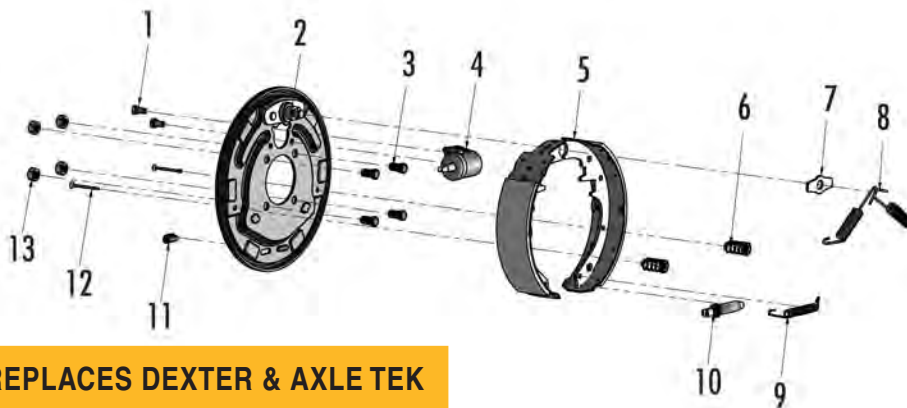
CSA Certified

CSA Certified by Axle Technology
(CSA master contract #239634)

REPLACES DEXTER & AXLE TEK

HUSKY QUALITY REPLACEMENT PARTS—AXLE TEK, DEXTER 10" x 2-1/4" ELECTRIC BRAKES

Order #	Mfr. #	Dexter #	Ref.	Qty./ Brake	Description
30793	#KB10E-01	K23-026-00		1	COMPLETE BRAKE ASSEMBLY LH
30794	#KB10E-02	K23-027-00		1	COMPLETE BRAKE ASSEMBLY RH
30821	#KB10E-05	K71-047-00	8, 9 & 17	1	SHOE / LINING KIT
30826	#KBE-324-00	K71-324-00	12 & 13	1	ADJUSTING SCREW KIT
30818	#KB10E-06	K71-104-00	5, 6, & 7	1	MAGNET KIT
30824	#KBE-363-00	K71-363-00	6,9,11, & 12	1	SPRING KIT
30825	#KBE-353-00	5353	9 & 17	1	HOLD-DOWN KIT (AXLE SET)
30830	#KBE-321-00	5121	14	1	RETAINER CLIP PKG./10
DEXTER: 10" X 1-1/2" HUB-DRUM (OBSOLETE) USE 10" X 2-1/4" PICTURE					
31502	#DC-200	K71-314-00	16	1	2" DUST CAP



REPLACES DEXTER & AXLE TEK

HUSKY QUALITY REPLACEMENT PARTS—AXLE TEK, DEXTER 10" x 2-1/4" HYDRAULIC BRAKES

Order #	Mfr. #	Dexter #	Ref.	Qty./ Brake	Description
30785	#KB10H-01	K23-312-00		1	COMPLETE BRAKE ASSEMBLY LH UNI-SERVO
30784	#KB10H-02	K23-313-00		1	COMPLETE BRAKE ASSEMBLY RH UNI-SERVO
30822	#KB10H-05-2	K71-267-00	5 & 6	1	SHOE / LINING KIT (AXLE SET)

Manufactured for Husky by Axle Technology.



HITCHES

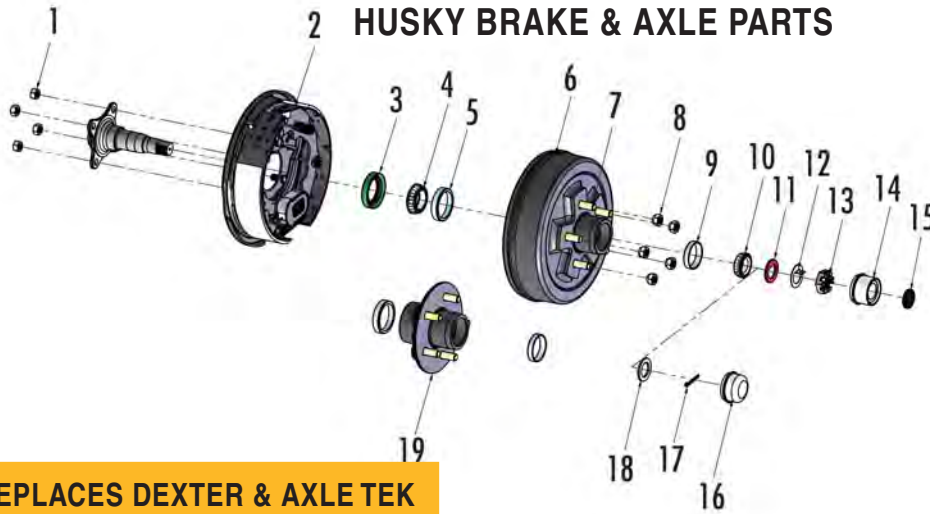
ELECTRICAL

ACCESSORIES

RUNNING GEAR

PARTS/DISPLAYS

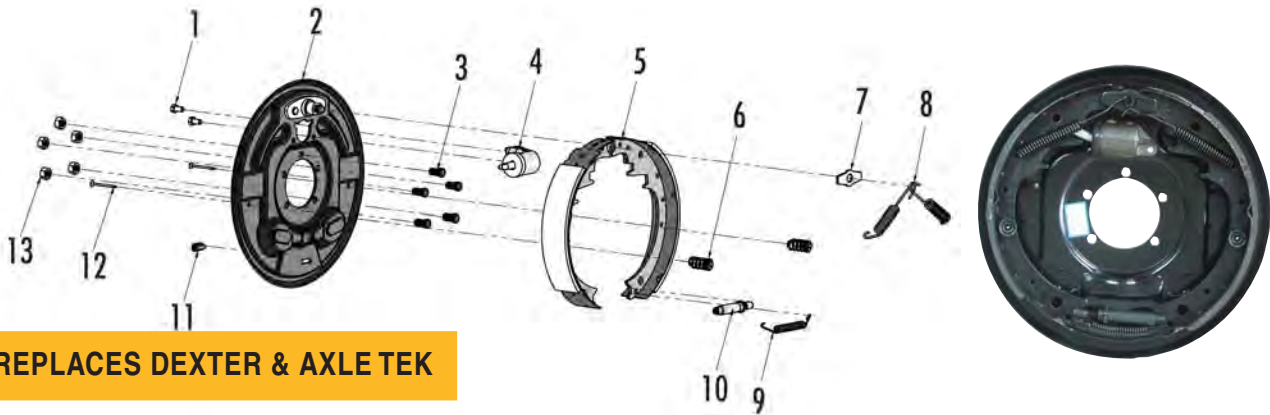
HUSKY INDEX



REPLACES DEXTER & AXLE TEK

HUSKY QUALITY REPLACEMENT PARTS — AXLE TEK, DEXTER 10" X 2-1/4" HUBS-DRUMS AND IDLER HUBS

Order #	Mfr. #	Dexter #	Ref.	Qty./ Brake	Description
30828	#DL-172-03	K71-303-00	3	1	GREASE SEAL STD. PKG/2
95913	#DL172-10		3		GREASE SEALS, 1-7/8" ID, SLEEVE OF 10
30815	#LM68149/11	K71-390-00	4 & 5	1	INNER BEARING CONE & CUP L6811 / L68149
95906	#L-68149-09		4		BEARINGS L68149, SLEEVE OF 9
30812	#L44649/10	K71-306-00	9 & 10	1	OUTER BEARING CONE & CUPL44610 / L44649
95904	#L-44649-10		10		BEARINGS L44649, SLEEVE OF 10
31502	#DC-200	K71-314-00	16	1	2" DUST CAP
30795	#H-545S2-07	008-219-04	19	1	IDLER HUB 5-4.50" BC
30796	#KBD-545-17	008-247-05	6	1	HUB-DRUM 5-4.50" BC ELEC/HYD
31503	#DC-200L		14	1	2" LUBED DUST CAP
31510	#DC-RP	K71-320-00	15	1	RUBBER LUBE PLUG FOR 1.18" CAP HOLE



REPLACES DEXTER & AXLE TEK

HUSKY QUALITY REPLACEMENT PARTS — AXLE TEK, DEXTER 12" x 2" HYDRAULIC BRAKES 7000#

Order #	Mfr. #	Dexter #	Ref.	Qty./ Brake	Description
30786	#KB12H-01	K23-338-00		1	COMPLETE BRAKE ASSEMBLY LH UNI-SERVO
30787	#KB12H-02	K23-339-00		1	COMPLETE BRAKE ASSEMBLY RH UNI-SERVO
30823	#KB12H-05-2	K71-269-00 & K71-270-00	5 & 6	1	SHOE / LINING KIT (AXLE SET)

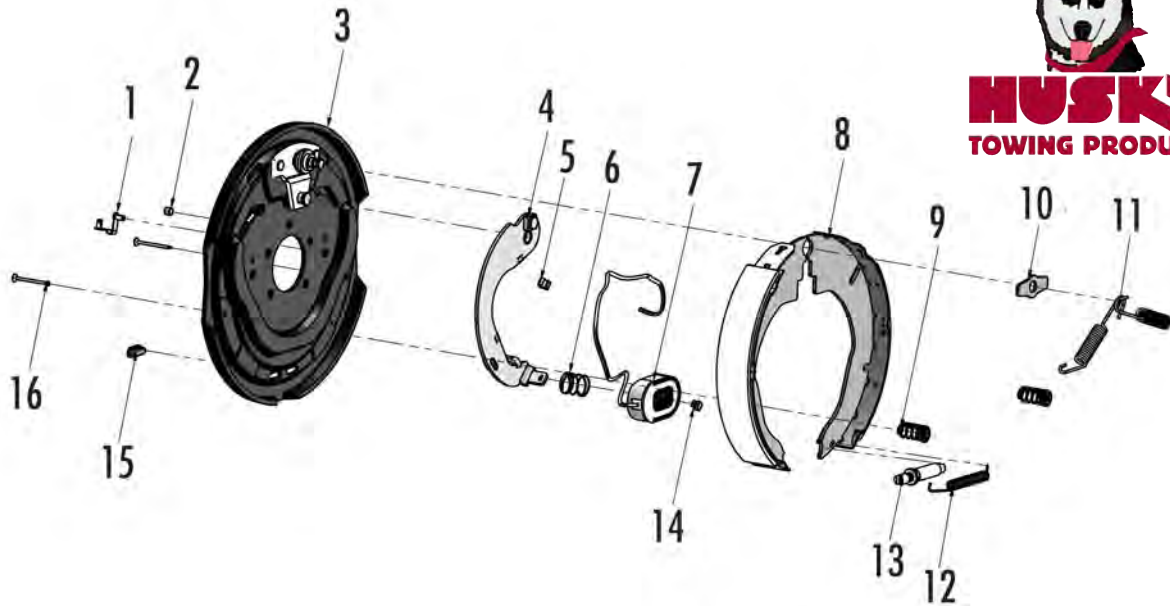
Manufactured for Husky by Axle Technology.

Trailer Brakes

HUSKY
TOWING PRODUCTS



HUSKY BRAKE & AXLE PARTS



REPLACES DEXTER & AXLE TEK

CSA Certified

CSA Certified by Axle Technology
(CSA master contract #239634)

HUSKY QUALITY REPLACEMENT PARTS—AXLE TEK, DEXTER 12" x 2" ELECTRIC BRAKES 5200#, 6000#, 7000#

Order #	Mfr. #	Dexter #	Ref.	Qty./ Brake	Description
5200# & 6000#					
30799	#KB12E-03	K23-105-00		1	COMPLETE BRAKE ASSEMBLY LH
30800	#KB12E-04	K23-106-00		1	COMPLETE BRAKE ASSEMBLY RH
30820	#KB12E-05	K71-048-00	8, 9 & 16	1	SHOE / LINING KIT
30826	#KBE-324-00	K71-324-00	12 & 13	1	ADJUSTING SCREW KIT
30819	#KB12E-06	K71-105-00	5, 6, & 7	1	MAGNET KIT
30824	#KBE-363-00	K71-363-00	6,9,11, & 12	1	SPRING KIT
30825	#KBE-353-00	5353	9 & 16	1	HOLD-DOWN KIT (AXLE SET)
30830	#KBE-321-00	5121	14	1	RETAINER CLIP PKG./10
7000#					
30797	#KB12E-01	K23-180-00		1	COMPLETE BRAKE ASSEMBLY LH
30798	#KB12E-02	K23-181-00		1	COMPLETE BRAKE ASSEMBLY RH
30820	#KB12E-05	K71-127-00	8, 9 & 16	1	SHOE / LINING KIT
30826	#KBE-324-00	K71-324-00	12 & 13	1	ADJUSTING SCREW KIT
30819	#KB12E-06	K71-125-00	5,6,&7	1	MAGNET KIT
30824	#KBE-363-00	K71-363-00	6,9,11,&12	1	SPRING KIT
30825	#KBE-353-00	5353	9 & 16	1	HOLD-DOWN KIT (AXLE SET)
30830	#KBE-321-00	5121	14	1	RETAINER CLIP PKG./10

Manufactured for Husky by Axle Technology.



HITCHES

ELECTRICAL

ACCESSORIES

RUNNING GEAR

PARTS/DISPLAYS

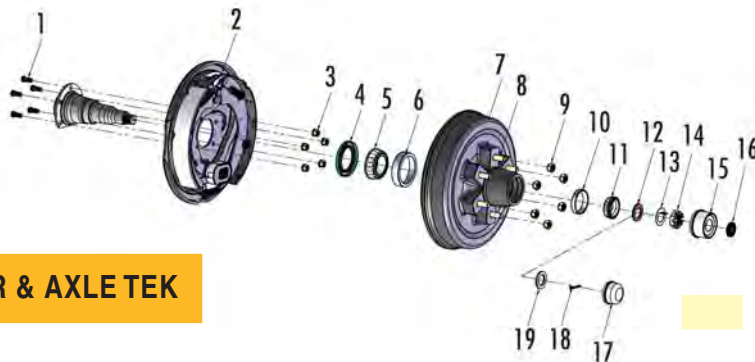
HUSKY INDEX



REPLACES DEXTER & AXLE TEK

HUSKY QUALITY REPLACEMENT PARTS — AXLE TEK, DEXTER 12" x 2" HUBS-DRUMS AND IDLER HUBS, 8 ON 6.50 BC 6000# & 7000#

Order #	Mfr. #	Dexter #	Ref.	Qty./ Brake	Description
30829	#DL-225-03	K71-305-00	4	1	GREASE SEAL STD. PKG/2
30813	#25580/20	K71-308-00	5 & 6	1	INNER BEARING CONE & CUP 25520 / 25580
95907	#25580-06		6		BEARINGS 25580, SLEEVE OF 6
30811	#15123/245	K71-309-00	10 & 11	1	OUTER BEARING CONE & CUP 15245 / 15123 6000# (5-SPOKE DEMOUNTABLE)
95908	#15123-08		11		BEARINGS 15123, SLEEVE OF 8
30808	#14125A/14276	K71-310-00	10 & 11	1	OUTER BEARING CONE & CUP 14276 / 14125A 7000# 8-BOLT
95909	#14125A-08		11		BEARINGS 14125A, SLEEVE OF 8
32536	#5652	K71-316-00	17	1	2-GREASE CAPS STD. AXLES 6000 & 7000# 2.45 OD
30802	#KBD-865-17	008-219-04	7	1	HUB-DRUM 8-6.50" BC 1/2" STUDS 7000#
30806	#KBD-865-16	008-219-13	7	1	HUB-DRUM 8-6.50" BC 1/2" STUDS 6000#
30803	#KBD-174-06	008-174-05	7A	1	HUB-DRUM DEMOUNTABLE 5-BOLT 9/16" STUDS
31505	#DC-250L		15	1	2-1/2" LUBED DUST CAP
31510	#DC-RP	K71-320-00	16		RUBBER LUBE PLUG FOR 1.18" CAP HOLE



Manufactured for Husky
by Axle Teknology.

REPLACES DEXTER & AXLE TEK

Denotes Limited Supply!

HUSKY QUALITY REPLACEMENT PARTS — AXLE TEK, DEXTER 12" x 2" HUBS-DRUMS AND IDLER HUBS, 6 ON 5.50 BC 5200# & 6000#

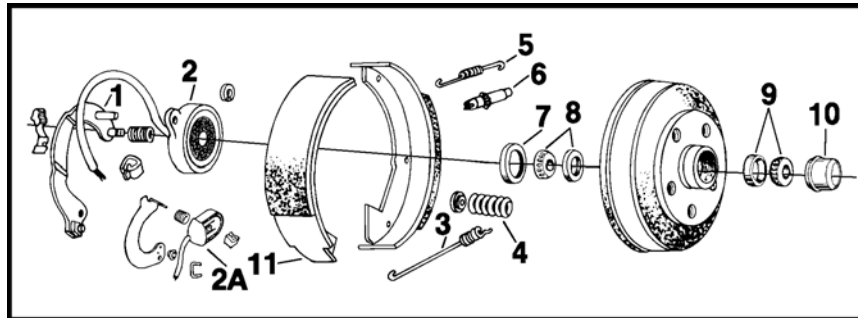
Order #	Mfr. #	Dexter #	Ref.	Qty./ Brake	Description
30829	#DL-225-03	K71-305-00	4	1	GREASE SEAL STD. PKG/2
95914	#DL225-10		4		GREASE SEALS DL225, SLEEVE OF 10
30813	#25580/20	K71-308-00	5 & 6	1	INNER BEARING CONE & CUP 25520 / 25580
95907	#25580-06		5		BEARINGS 25580, SLEEVE OF 6
30814	#LM67048/10	K71-307-00	10 & 11	1	OUTER BEARING CONE & CUP LM67048 / LM67010 5200#
95905	#LM-67048		11		BEARINGS LM67048, SLEEVE OF 9
30811	#15123/245	K71-309-00	10 & 11	1	OUTER BEARING CONE & CUP 15123 / 15245 6000#
95908	#15123-08		11		BEARINGS 15123, SLEEVE OF 8
31504	#DC-250	K71-316-00	17	1	2-1/2" DUST CAP
30801	#KBD-655-16	008-201-02	7	1	HUB-DRUM 6-5.50" BC 1/2" STUDS 5200# <i>LS</i>
30804	#KBD-655-17	008-201-09	7	1	HUB-DRUM 6-6.50" BC 1/2" STUDS 6000# (requires 30811 bearing if used on 5200# axle)
31505	#DC-250L		15	1	2-1/2" LUBED DUST CAP
31510	#DC-RP	K71-320-00	16		RUBBER LUBE PLUG FOR 1.18" CAP HOLE

Trailer Brakes

HUSKY
TOWING PRODUCTS



HUSKY BRAKE & AXLE PARTS

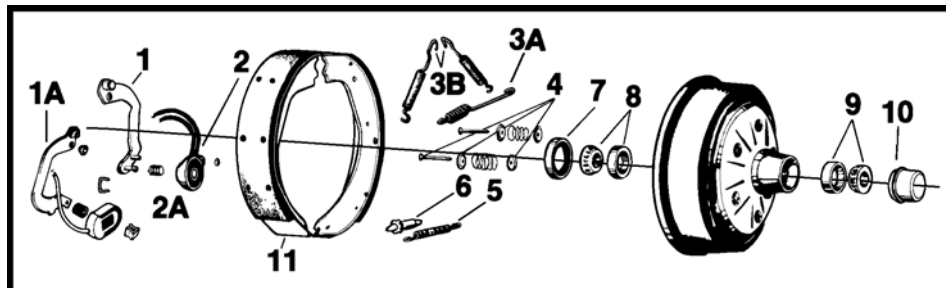


REPLACES HAYES

Denotes Limited Supply!

HUSKY QUALITY REPLACEMENT PARTS — HAYES 10" x 1-5/8"

Order #	Mfr. #	Ref.	Description
32502	#5105	2	MAGNET KIT (PRIOR TO MID 1987) <i>LS</i>
30818	#KB10E-06	2A	MAGNET KIT (AFTER MID 1987)
30826	#KBE-324-00	5 & 6	ADJUSTING SCREW KIT
30828	#DL-172-03	7	GREASE SEAL (AXLE SET)
95913	#DL172-10	7	GREASE SEALS DL172, SLEEVE OF 10
30814	#LM67048/10	8	INNER BEARING SET
95905	#LM-67048	8	BEARING ONLY LM-67048, SLEEVE OF 9
30812	#L44649/10	9	OUTER BEARING SET
95904	#L-44649-10	9	BEARING ONLY L-44649, SLEEVE OF 10
31502	#DC-200	10	2" DUST CAP



REPLACES HAYES

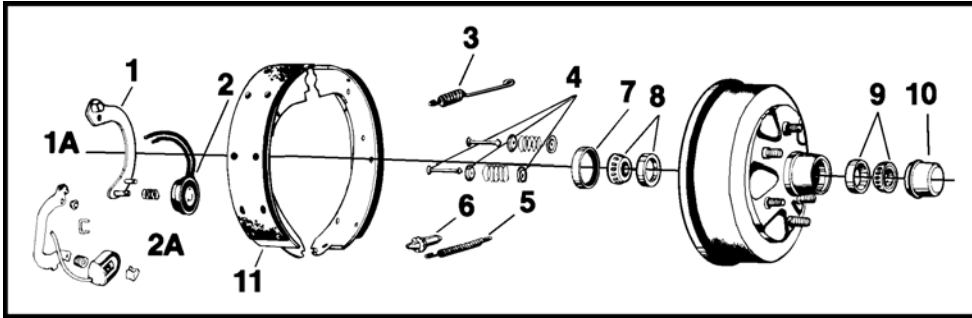
Denotes Limited Supply!

HUSKY QUALITY REPLACEMENT PARTS — HAYES 10" x 2-1/4"

Order #	Mfr. #	Ref.	Description
32502	#5105	2	MAGNET KIT (PRIOR TO MID 1987) <i>LS</i>
30818	#KB10E-06	2A	MAGNET KIT (AFTER MID 1987)
30824	#KBE-363-00	3A & 3B	SPRING KIT
30825	#KBE-353-00	4	HOLD-DOWN KIT (AXLE SET)
30826	#KBE-324-00	5 & 6	ADJUSTING SCREW KIT
30828	#DL-172-03	7	GREASE SEAL (AXLE SET)
95913	#DL172-10	7	GREASE SEALS DL172, SLEEVE OF 10
30815	#LM68149/11	8	INNER BEARING SET
95906	#L-68149-09	8	BEARING ONLY 68149, SLEEVE OF 9
30812	#L44649/10	9	OUTER BEARING SET
95904	#L-44649-10	9	BEARING ONLY L-44649, SLEEVE OF 10
31502	#DC-200	10	2" DUST CAP



HUSKY BRAKE & AXLE PARTS

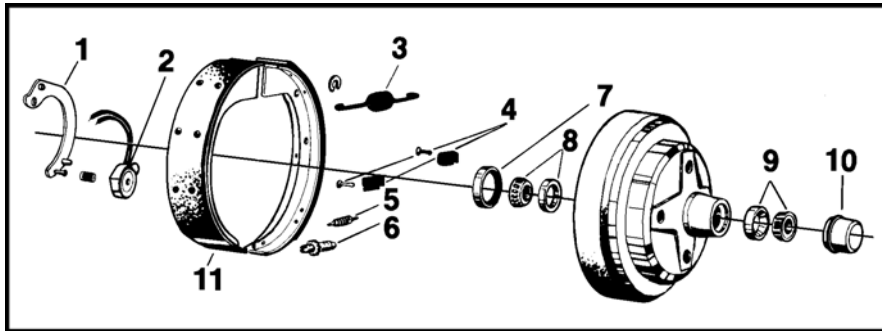


REPLACES HAYES

Denotes Limited Supply!

HUSKY QUALITY REPLACEMENT PARTS — HAYES 12" x 2"

Order #	Mfr. #	Ref.	Description
32504	#5108	2	MAGNET KIT (PRIOR TO MID 1987) <i>LS</i>
30819	#KB12E-06	2A	MAGNET KIT (AFTER MID 1987)
30824	#KBE-363-00	3	SPRING KIT
30825	#KBE-353-00	4	HOLD-DOWN KIT (AXLE SET)
30826	#KBE-324-00	5 & 6	ADJUSTING SCREW KIT
30829	#DL-225-03	7	GREASE SEAL (AXLE SET)
95914	#DL225-10	7	GREASE SEALS DL225, SLEEVE OF 10
30813	#25580/20	8	INNER BEARING SET
95907	#25580-06	8	BEARING ONLY 25580, SLEEVE OF 6
30814	#LM67048/10	9	OUTER BEARING SET
95905	#LM-67048	9	BEARING ONLY LM-67048, SLEEVE OF 9
31504	#DC-250	10	2-1/2" DUST CAP
34694	#5000-HA	11	SHOE / LINING KIT <i>LS</i>



REPLACES HAYES

HUSKY QUALITY REPLACEMENT PARTS — HAYES 12" x 2" CENTERLINE

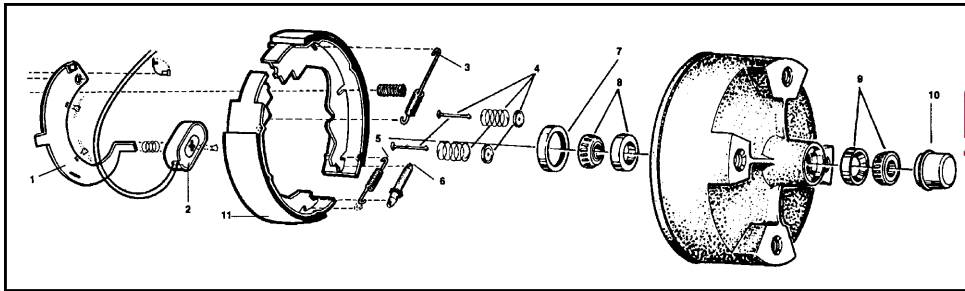
Order #	Mfr. #	Ref.	Description
30825	#KBE-353-00	4	HOLD-DOWN KIT (AXLE SET)
30826	#KBE-324-00	5 & 6	ADJUSTING SCREW KIT
30829	#DL-225-03	7	GREASE SEAL (AXLE SET)
95914	#DL225-10	7	GREASE SEALS DL225, 2-1/4" ID, SLEEVE OF 10
30813	#25580/20	8	INNER BEARING SET
95907	#25580-06	8	BEARING ONLY 25580, SLEEVE OF 6
30814	#LM67048/10	9	OUTER BEARING SET
95905	#LM-67048	9	BEARING ONLY LM-67048, SLEEVE OF 9
31504	#DC-250	10	2-1/2" DUST CAP

Trailer Brakes

HUSKY
TOWING PRODUCTS



HUSKY BRAKE & AXLE PARTS

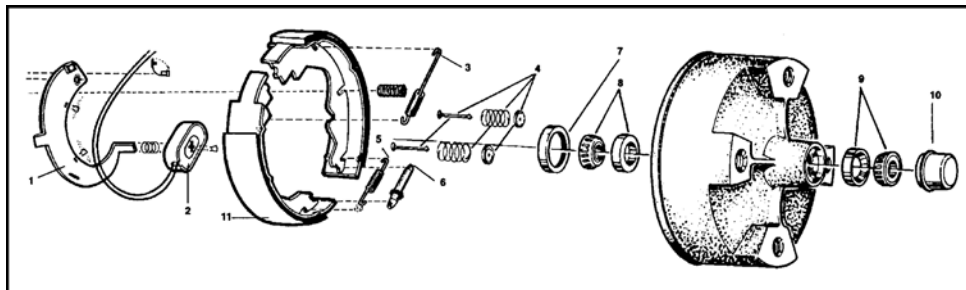


REPLACES AL-KO

Denotes Limited Supply!

HUSKY QUALITY REPLACEMENT PARTS — AL-KO 10" x 2-1/4"

Order #	Mfr. #	Ref.	Description
30818	#KB10E-06	2	MAGNET KIT
30825	#KBE-353-00	4	HOLD-DOWN KIT (AXLE SET)
30826	#KBE-324-00	5 & 6	ADJUSTING SCREW KIT
30815	#LM68149/11	8	INNER BEARING SET
95906	#L-68149-09	8	BEARING ONLY 68149, SLEEVE OF 9
30812	#L-44649/10	9	OUTER BEARING SET
95904	#L-44649-10	9	BEARING ONLY L-44649, SLEEVE OF 10
31502	#DC-200	10	2" DUST CAP
37032	#6004	11	SHOE / LINING KIT



REPLACES AL-KO

Denotes Limited Supply!

HUSKY QUALITY REPLACEMENT PARTS — AL-KO 12" x 2"

Order #	Mfr. #	Ref.	Description
30819	#KB12E-06	2	MAGNET KIT 6 & 7K
30824	#KBE-363-00	3	SPRING KIT
30825	#KBE-353-00	4	HOLD-DOWN KIT (AXLE SET)
30826	#KBE-324-00	5 & 6	ADJUSTING SCREW KIT
30813	#25580/20	8	INNER BEARING SET
95907	#25580-06	8	BEARING ONLY 25580, SLEEVE OF 6
30814	#LM67048/10	9	OUTER BEARING SET
95905	#LM-67048	9	BEARING ONLY LM-67048, SLEEVE OF 9
31504	#DC-250	10	2-1/2" DUST CAP
37036	#6005	11	SHOE / LINING KIT



HUSKY BRAKE & AXLE PARTS



HITCHES

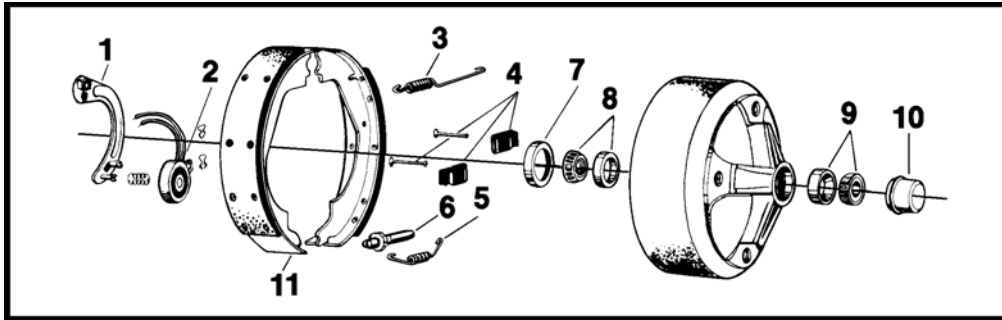
ELECTRICAL

ACCESSORIES

RUNNING GEAR

PARTS/DISPLAYS

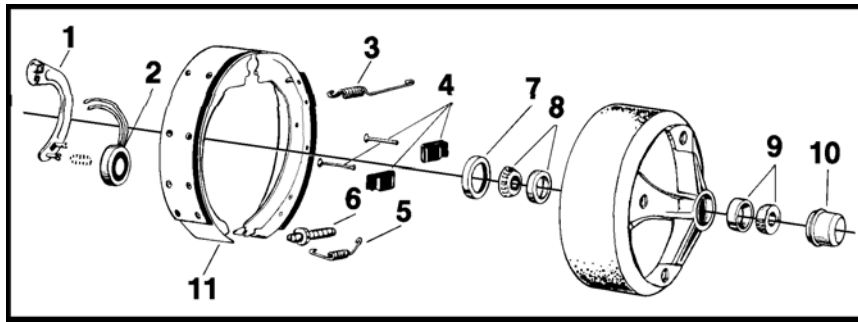
HUSKY INDEX



REPLACES FAYETTE

HUSKY QUALITY REPLACEMENT PARTS — FAYETTE 10" x 2-1/4"

Order #	Mfr. #	Ref.	Description
30825	#KBE-353-00	4	HOLD-DOWN KIT (AXLE SET)
30826	#KBE-324-00	5 & 6	ADJUSTING SCREW KIT
30828	#DL-172-03	7	GREASE SEALS (AXLE SET)
95913	#DL172-10	7	GREASE SEALS DL172, SLEEVE OF 10
30815	#LM68149/11	8	INNER BEARING SET
95906	#L-68149-09	8	BEARING ONLY 68149, SLEEVE OF 9
30812	#L44649/10	9	OUTER BEARING SET
95904	#L-44649-10	9	BEARING ONLY L-44649, SLEEVE OF 10
31502	#DC-200	10	2" DUSTCAP
30821	#KB10E-05	11	SHOE / LINING KIT



REPLACES FAYETTE

HUSKY QUALITY REPLACEMENT PARTS — FAYETTE 12" x 2"

Order #	Mfr. #	Ref.	Description
30824	#KBE-363-00	3	SPRING KIT
30825	#KBE-353-00	4	HOLD-DOWN KIT (AXLE SET)
30826	#KBE-324-00	5 & 6	ADJUSTING SCREW KIT
30829	#DL-225-03	7	GREASE SEALS AXLE SET
95914	#DL225-10	7	GREASE SEALS DL225, SLEEVE OF 10
30813	#25580/20	8	INNER BEARING SET
95907	#25580-06	8	BEARING ONLY 25580, SLEEVE OF 6
30814	#LM67048/10	9	OUTER BEARING SET
95905	#LM-67048	9	BEARING ONLY LM-67048, SLEEVE OF 9
31504	#DC-250	10	2-1/2" DUST CAP
30820	#KB12E-05	11	SHOE / LINING KIT

Bearings & Accessories

HUSKY
TOWING PRODUCTS



HUSKY Bulk Quantities of Bearings, Dust Caps, Grease Seals

Bulk quantities of popular axle repair parts.

Description	Replaces	Mfr#	Qty.	Part #	Price
BEARINGS, BULK QUANTITIES IN SLEEVES					
Bearing	L-44649	#L-44649-10	Sleeve of 10	95904	
Bearing	L-44643	#L-44643-10	Sleeve of 10	95903	
Bearing	L-68149	#L-68149-09	Sleeve of 9	95906	
Bearing	LM-67048	#LM-67048	Sleeve of 9	95905	
Bearing	25580	#25580-06	Sleeve of 6	95907	
Bearing	15123	#15123-08	Sleeve of 8	95908	
Bearing	14125A	#14125A-08	Sleeve of 8	95909	
Bearing	02475	#02475-07	Sleeve of 7	95910	
DUST CAPS, BULK, EACH					
2" Dust Cap, Size: 1.99"	DC-200	#DC-200	Each	31502	
2" Lubed Dust Cap, Size: 1.99"	DC-200L	#DC-200L	Each	31503	
2-1/2" Dust Cap, Size: 2.45"	DC-250	#DC-250	Each	31504	
2-1/2" Lubed Dust Cap, Size: 2.45"	DC-250L	#DC-250L	Each	31505	
2-3/4" Dust Cap, Size: 2.72"	DC-275	#DC-275	Each	31506	
2-3/4" Lubed Dust Cap, Size: 2.72"	DC-275L	#DC-275L	Each	31507	
42mm Dust Cap, Size: 3.10"	021-085-00	#021-085-00	Each	31508	
50mm Dust Cap, Size: 3.33"	021-086-00	#021-086-00	Each	31509	
Rubber Lube Plug, Size: 1.18"+, fits 1.18" Lubed Dust Cap Hole	DC-RP	#DC-RP	Each	31510	
GREASE SEALS, BULK QUANTITIES IN SLEEVES					
Grease Seal, 1-1/4" ID	GS-1250DL	#DL1025-20	Sleeve of 20	95911	
Grease Seal, 1-1/2" ID	GS-1500DL	#DL1050-20	Sleeve of 20	95912	
Grease Seal, 1-7/8" ID	GS-172DL	#DL1072-10	Sleeve of 10	95913	
Grease Seal, 2-1/8" ID	DL2125	#DL-2125	Sleeve of 10	95922	
Grease Seal, 2-1/4" ID	GS-2250DL	#DL225-10	Sleeve of 10	95914	



HITCHES

ELECTRICAL

ACCESSORIES

RUNNING GEAR

PARTS/DISPLAYS

HUSKY INDEX