



Round Bar Weight Distribution Hitch Parts

HITCHES

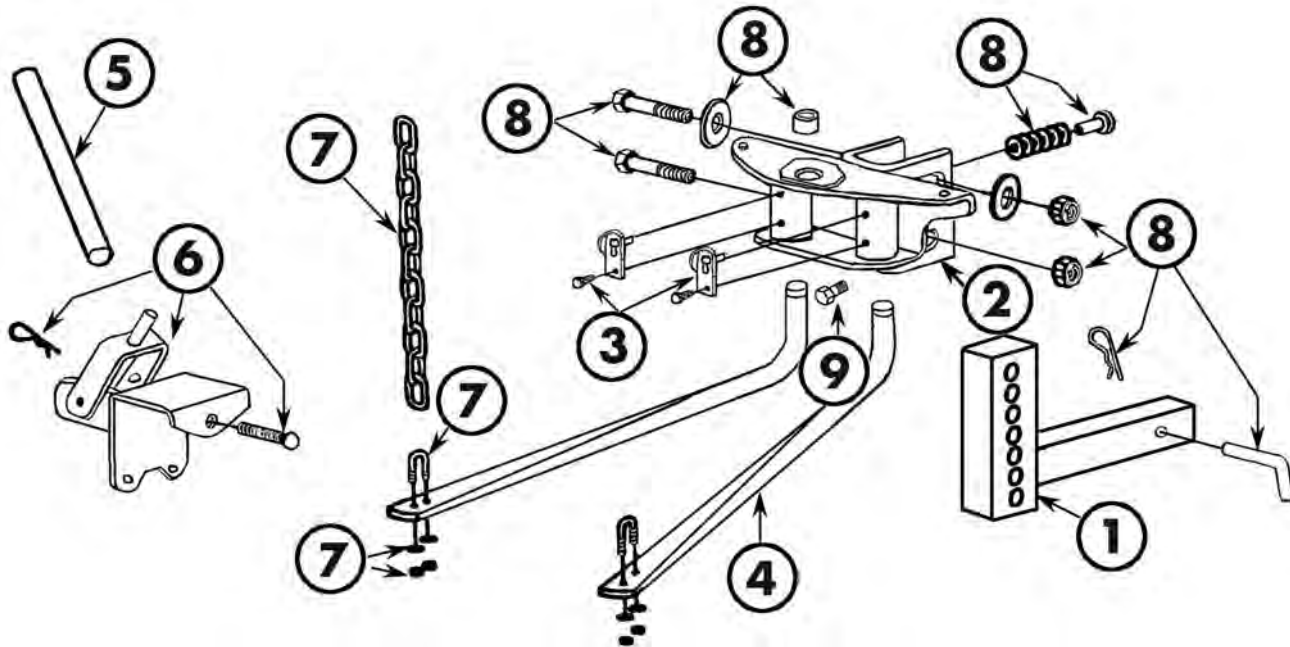
ELECTRICAL

ACCESSORIES

RUNNING GEAR

PARTS/DISPLAYS

HUSKY INDEX



ROUND BAR PARTS		
Ref. #	Part #	Description
1	31518	10" Bolt-together Shank Assembly
2	31516	Head Assembly
3	31527	Spring Bar Retainer Pack (Sold Each; 2 required/hitch)
4	31519	400–600 lbs. Spring Bar Assembly (Sold Each; 2 required/hitch)
4	31520	501–800 lbs. Spring Bar Assembly (Sold Each; 2 required/hitch)
4	31521	801–1200 lbs. Spring Bar Assembly (Sold Each; 2 required/hitch)
4	31522	1201–1400 lbs. Spring Bar Assembly (Sold Each; 2 required/hitch)
5	31524	Lift Handle
6	31260	Chain Lift Bracket Kit, includes two 2-1/2" x 3-1/2" Hex Bolts and two Spring Clips (one kit required/hitch)

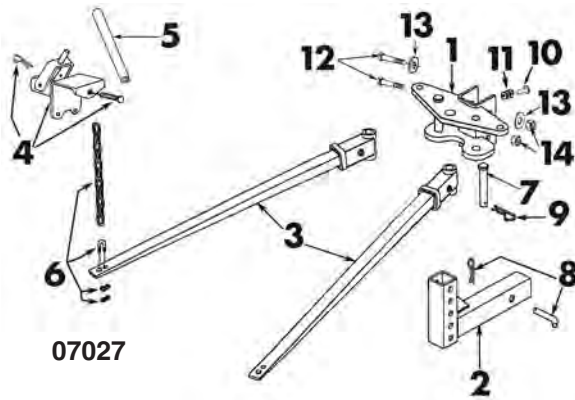
ROUND BAR PARTS		
Ref. #	Part #	Description
7	31526	Spring Bar Chain Package, with quantities for a complete hitch (includes 2 each: Lift Chain, 3/8" U-Bolt, 3/8" Flat Washer, 3/8" Lock Nut)
8	31525	Fastener Package for complete hitch, contains: (1) Reducer Bushing 1-1/4" to 1"; (1) Hitch Pin (5/8"); (3) Spring Clip (5/8"); (2) Hex Cap Screw Grade 5 (1/2"–13 x 3-1/2"); (2) Grade 5 Hex Bolt (3/4"–10 x 4-1/2"); (2) Nylon Insert Lock Nut (3/4"–10); (2) Conical Toothed Washer (3/4"); (1) Hardened Pin, 1/2" x 1-1/4"; (7) Hardened Flat Washer (1/2")
9	37153	5/8" x 1-1/2" Hex Bolt (Set Screw)

Weight Dist. Hitch Parts

HUSKY
TOWING PRODUCTS

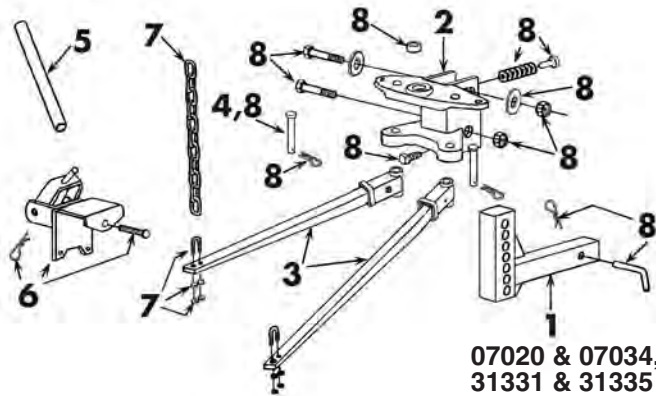


Pin Trunnion Weight Distribution Hitch Parts



07027

07027 PIN TRUNNION BAR PARTS			
Ref. #	Part #	Description	
1	30683	Head Assembly	
2	30684	Shank Assembly	
3	30685	300-500 lb. Spring Bar Assembly (Black) (Sold Each; 2 required/hitch)	
4	31260	Chain Lift Bracket Kit, includes 1/2" x 3-1/2" Hex Bolt and Hair Pin (Spring Clip) (Kits are sold Each; 2 required/hitch)	
5	31524	Lift Handle	
6	31526	Spring Bar Chain Package, with quantities for a complete hitch (includes 2 each: Lift Chain, 3/8" U-Bolt, 3/8" Flat Washer, 3/8" Lock Nut)	
7	30687	Clevis Pin (Sold Each; 2 required/hitch)	
8	33790	Hitch Pin & Spring Clip, 5/8", 1/4Card	
9	33792	Spring Clip, Bulk, 5/8", Bulk	
10	37156	(LS) Hardened Pin, 1/2" x 1-1/4"	
11	37155	(LS) Hardened Washer, 1/2" (Sold Each; 3 required/hitch)	
12	30688	1/2" x 3-1/4" Hex Bolt (Sold Each; 2 required/hitch)	
13	30689	1/2" Conical Washer	
14	30690	1/2" Lock Nut	



07020 & 07034,
31331 & 31335

31331, 31335, 07020 & 07034 PIN TRUNNION BAR PARTS			
Ref. #	Part #	Description	
1	31518	Shank Assembly	
2	30580	Head Assembly	
3	31587	800 lb. Spring Bar Assembly with Trunnion Castings installed	
3	31588	1200 lb. Spring Bar Assembly with Trunnion Castings installed	
4	30695	Clevis Pin, 3/4" (Sold Each; 2 required/hitch)	
5	31524	Lift Handle	
6	31260	Chain Lift Bracket Kit, includes 1/2" x 3-1/2" Hex Bolt and Hair Pin (Spring Clip) (Sold Each; 2 required/hitch)	
7	31526	Spring Bar Chain Package, with quantities for a complete hitch (includes 2 each: Lift Chain, 3/8" U-Bolt, 3/8" Flat Washer, 3/8" Lock Nut)	
8	31589	Fastener Package for complete hitch, contains: (1) 5/8" Hitch Pin; (5) Hair Pin (Spring Clip); (2) Hex Screw (3/4"-10 x 4-1/2"); (2) Hex Bolt (1/2"-13x3-1/2"); (2) Hex Lock Nut (3/4"-10); (2) Conical Tooth Washer (3/4"); (1) Reducer Bushing 1-1/4" to 1"; (1) Hardened Pin, 1/2" Dia. x 1-1/4"; (7) Hardened Washer, 1/2"; (2) Clevis Pin (3/4")	

HITCHES

ELECTRICAL

ACCESSORIES

RUNNING GEAR

PARTS/DISPLAYS

HUSKY INDEX



Center Line Weight Distribution Hitch Parts

HITCHES

ELECTRICAL

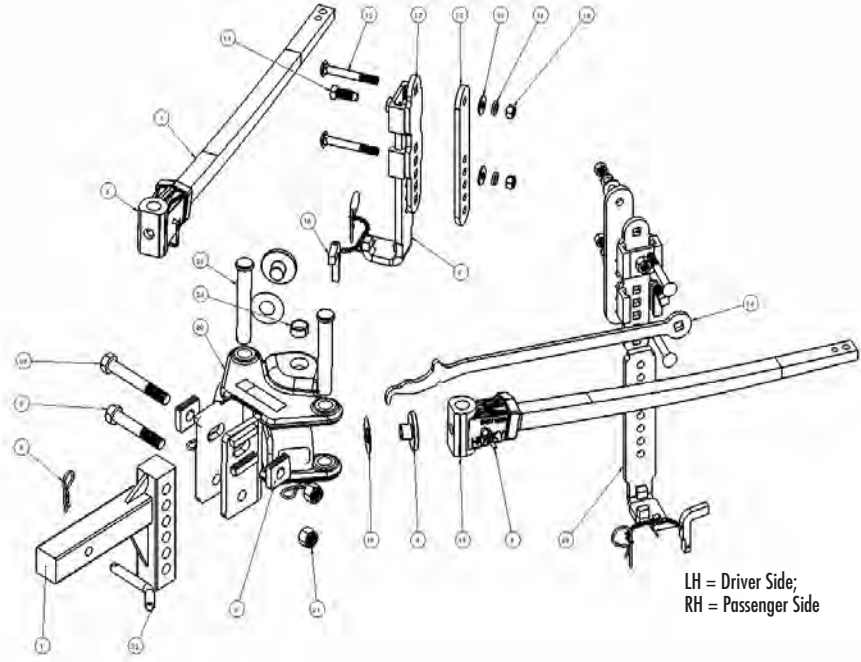
ACCESSORIES

RUNNING GEAR

PARTS/DISPLAYS

HUSKY INDEX

CENTER LINE HITCH PART PACKAGES		
Part #	Pkg	Description
	A	Kit, 501–1,400 lbs. Center Line Head Assembly, Shank & Frame Bracket System <i>NOTE: This is the complete 31390 head assembly, including all items in the part listing except the spring bars.</i>
31393	B	RH Frame and Spring Bar Bracket Assembly
31394	C	LH Frame and Spring Bar Bracket Assembly
31511	D	501–800 lb. Spring Bar Kit
31512	E	801–1,200 lb. Spring Bar Kit
31513	F	1,001–1,400 lb. Spring Bar Kit
31459	G	Kit, Center Line Customer Shim
31447	H	Kit, Center Line Complete Hardware
31448	I	Kit, Center Line LH Trunnion
31449	J	Kit, Center Line RH Trunnion
31450	K	Kit, Center Line Pressure Plate
31451	L	Kit, Center Line Spring Bar Lift Tool
31672	M	"L" Pin Assembly Service Kit



LH = Driver Side;
RH = Passenger Side

Ref.	Part Description	Pkg B Qty.	Pkg C Qty.	Pkg D Qty.	Pkg E Qty.	Pkg F Qty.	Pkg G Qty.	Pkg H Qty.	Pkg I Qty.	Pkg J Qty.	Pkg K Qty.	Pkg L Qty.	Pkg M Qty.
1	Shank Weldment (see the Shank Page)												
2	Head Tilt Adjusting Plate							2					
3	Bolt, Hex Head, 3/4–10 UNC x 4.5, GR5, CZ							2					
4	Plate, Pressure										2		
5	1/4" Dia. Square "D" Safety Pin							2					
6	Trunnion, RH, Machined									1			
7	501–800 lb. Square Spring Bar			2									
	801–1,200 lb. Square Spring Bar				2								
	1,000–1,400 lb. Square Spring Bar					2							
8	Pin, 5/8" Hair	1	1					3	1	1			
9	RH Lift Bracket	1											
10	"L" Pin Assembly	1	1					2					2
11	Set Screw, Full Dog Point, 5/8–11 x 1.50 LG, GR5, CZ	1	1										
12	Carriage Head Bolt, 1/2"–13 UNC x 4", GR5, CZ	2	2					4					
13	Plate, Frame Mounting	1	1										
14	Nut, Hex 1/2–13 UNC, GR5, CZ	2	2					4					
15	HD Lock Washer, 1/2" ID	2	2					4					
16	Washer, Flat .531 ID x 1.250 OD x .10 Thk., Type B	2	2					4					
17	Frame Bracket Weldment	1	1										
18	Trunnion, LH, Machined								1				
19	Shim						6						
20	WD W/Sway Control												
21	Nut, Nylon Lock, 3/4"–10 UNC, GR5, CZ							2					
22	Hitch Pin, 5/8"							1					
23	LH Lift Bracket		1										
24	1-1/4" to 1" Bushing							1					
25	Clevis Pin, 3/4" x 5.75" Long								1	1			
26	Spring Bar Lift Tool											1	

Fifth Wheel Hitch Parts

HUSKY
TOWING PRODUCTS



16,000 lb. Capacity 16K S Fifth Wheel Hitch Parts (Silver Series)

HITCHES

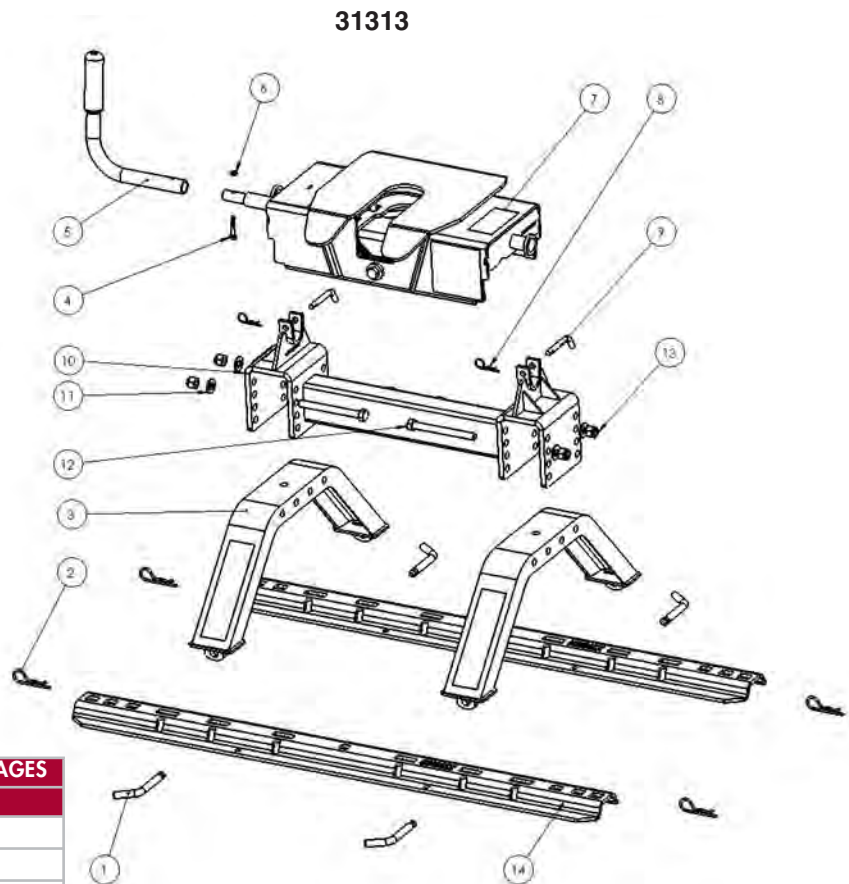
ELECTRICAL

ACCESSORIES

RUNNING GEAR

PARTS/DISPLAYS

HUSKY INDEX



31313 16K S FIFTH WHEEL HITCH PART PACKAGES

Part #	Description
31314	2 Uprights Package
31452	Cross Member Package
31453	16K S Head and Handle Package
31454	Handle Kit
31455	16K S Complete Hardware Kit
31456	16K S Hitch Head Retaining Pins
31458	Cross Member Hardware Kit

All products limited to Vehicle Tow Rating; see Vehicle Owners Manual. See www.huskytow.com for warranty information and tech support.

Package Description:		16K S Head & Cross Member Package	2 Uprights Package	Cross Member Package	16K S Head & Handle Package	Handle Kit	16K S Complete Hardware Kit	16K S Hitch Head Retaining Pins	Cross Member Hardware Kit
Ref.	Part Description	31313 Qty.	31314 Qty.	31452 Qty.	31453 Qty.	31454 Qty.	31455 Qty.	31456 Qty.	31458 Qty.
1	Pin, 1/2" Base Rail	4					4		
2	Pin, 1/2" Hair	4					4		
3	Upright	2	2						
4	Hex Head Bolt, 1/4-20 UNC x 1.375 LG	1			1	1			
5	Handle	1			1	1			
6	Nut, Nylon Lock, 1/4-20 UNC	1			1	1			
7	16K S 5th Wheel Head Assembly	1			1				
8	Pin, 3/8" Hair	2			2		2	2	
9	Pin, 3/8" Clevis	2			2		2	2	
10	Cross Member	1		1					
11	Washer, Flat .531 ID x 1.250 OD x .10 Thk	4		4			4		4
12	Bolt, Hex, 1/2-13 UNC x 5 LG	4		4			4		4
13	Nut, Nylon Lock, 1/2-13 UNC	4		4			4		4
14	Base Rail for 5th Wheel Hitch (not included)	N/A	N/A	N/A	N/A	N/A	N/A	N/A	N/A



HUSKY
TOWING PRODUCTS

Fifth Wheel Hitch Parts

16,000 lb. Capacity 16K W Fifth Wheel Hitch Parts (Silver Series)

HITCHES

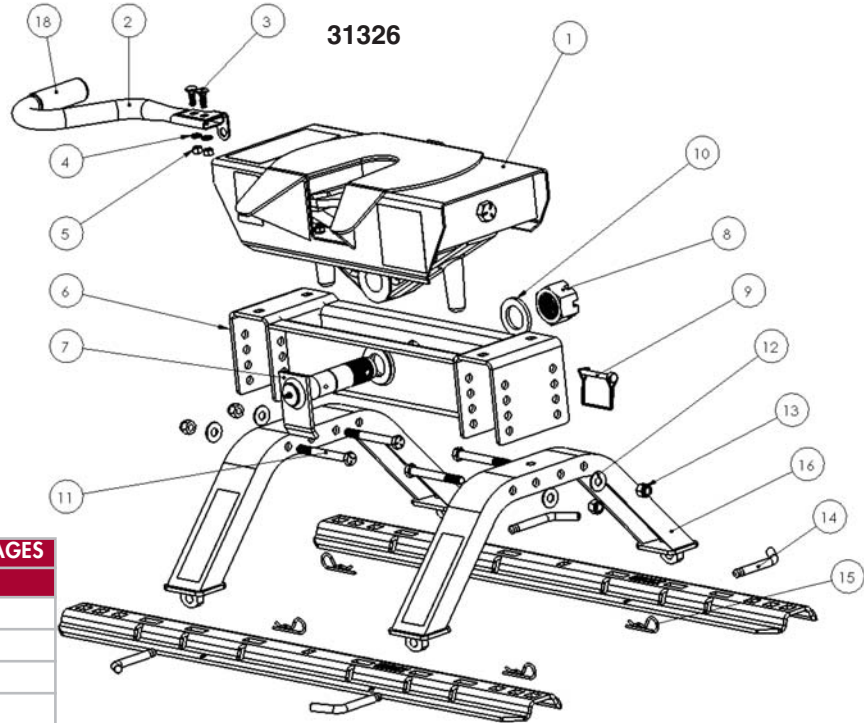
ELECTRICAL

ACCESSORIES

RUNNING GEAR

PARTS/DISPLAYS

HUSKY INDEX



31326 16K W FIFTH WHEEL HITCH PART PACKAGES

Part #	Description
31314	2 Uprights Package
31573	Kit, Handle
31574	Kit, Pivot Pin
31575	Kit, Cross Beam Hardware
31576	Kit, Base Rail Hardware
31580	Kit, Cross Beam
31581	Kit, Head & Yoke
31579	Kit, Handle Grip

All products limited to Vehicle Tow Rating; see Vehicle Owners Manual. See www.huskytow.com for warranty information and tech support.

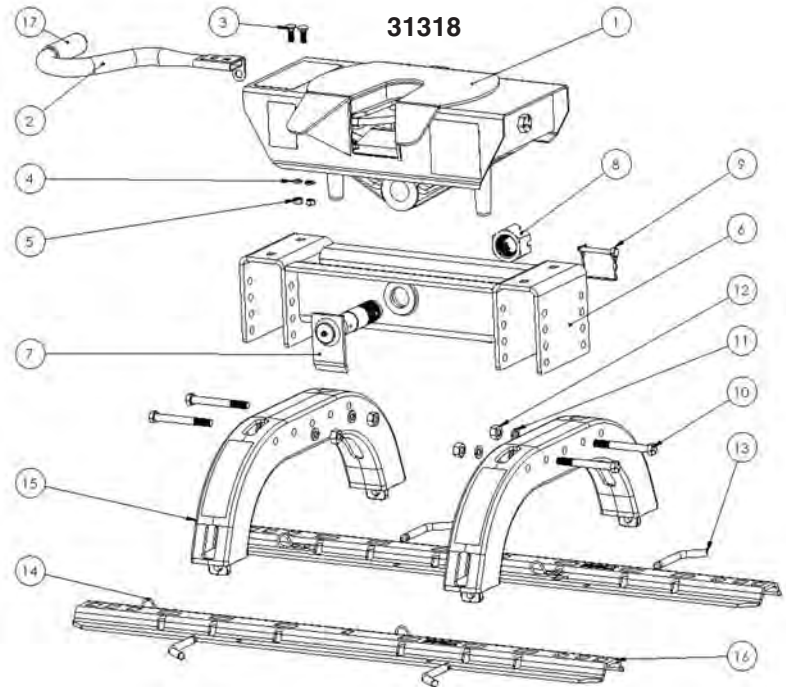
Package Description:	16K W Head & Yoke Box 1 of 2	Cross Member & Pivot Pin Box 2 of 2	Uprights	Kit, Handle	Kit, Pivot Pin	Kit, Cross Beam Hardware	Kit, Base Rail Hardware	Kit, Cross Beam	Kit, Head & Yoke	Kit, Handle Grip	
Ref.	Part Description	Qty.	Qty.	Qty.	Qty.	Qty.	Qty.	Qty.	Qty.	Qty.	
		31326 Box 1	31326 Box 2	31314	31573	31574	31575	31576	31580	31581	31579
1	16K 5th Wheel Head Assembly	1								1	
2	Handle	1			1						
3	Carriage Bolt, 3/8-16 x 1.25" L	2			2						
4	Lock Washer, 3/8" ID	2			2						
5	Hex Nut, 3/8-16	2			2						
N/A	Instructions, Kit Appropriate (Not Shown)	1			1	1	1		1	1	
6	Cross Member		1						1		
7	Pivot Pin		1			1					
8	Castle Nut, 1-1/2-12		1			1					
9	Safety Locking Pin		1			1					
10	Washer, Castle Nut Spacing		1			1					
11	Hex Head Bolt, 1/2-13 x 4.5" L		4				4				
12	Washer, 1/2" ID		4				4				
13	Nut, Nylon Lock, 1/2-13 UNC		4				4				
14	Clevis Pin, 1/2" OD x 2.50" LG		4					4			
15	Hair Pin		4					4			
16	Upright			2							
17	Base Rail for 5th Wheel Hitch (Not Included)	N/A	N/A	N/A	N/A	N/A	N/A	N/A	N/A	N/A	N/A
18	Handle, Foam Grip	1			1						2

Fifth Wheel Hitch Parts

HUSKY
TOWING PRODUCTS



26,000 lb. Capacity 26K W Fifth Wheel Hitch Parts (Silver Series)



31318 26K W FIFTH WHEEL HITCH PART PACKAGES

Part #	Description
31325	2 Uprights Package
31573	Kit, Handle
31574	Kit, Pivot Pin
31575	Kit, Cross Beam Hardware
31576	Kit, Base Rail Hardware
31577	Kit, Cross Member
31578	Kit, Head & Yoke
31579	Kit, Handle Grip

All products limited to Vehicle Tow Rating; see Vehicle Owners Manual. See www.huskytow.com for warranty information and tech support.

Package Description:	26K W Head & Yoke Box 1 of 2	Cross Member & Pivot Pin Box 2 of 2	Uprights	Kit, Handle	Kit, Pivot Pin	Kit, Cross Beam Hardware	Kit, Base Rail Hardware	Kit, Cross Member	Kit, Head & Yoke	Kit, Handle Grip	
Ref.	Part Description	Qty.	Qty.	Qty.	Qty.	Qty.	Qty.	Qty.	Qty.	Qty.	
		31318 Box 1	31318 Box 2	31325	31573	31574	31575	31576	31577	31578	31579
1	26K 5th Wheel Head Assembly	1							1		
2	Handle	1			1						
3	Carriage Bolt, 3/8-16 x 1.25" L	2			2						
4	Lock Washer, 3/8" ID	2			2						
5	Hex Nut, 3/8-16	2			2						
N/A	Instructions, Kit Appropriate (Not Shown)	1			1	1		1	1		
6	Cross Beam		1					1			
7	Pivot Pin		1		1						
8	Castle Nut, 1-1/2-12		1		1						
9	Safety Locking Pin		1		1						
10	Hex Head Bolt, 1/2-13 x 4.5" L		4			4					
11	Washer, 1/2" ID		4			4					
12	Nut, Nylon Lock, 1/2-13 UNC		4			4					
13	Clevis Pin, 1/2" OD x 2.50" LG		4				4				
14	Hair Pin		4				4				
15	Upright			2							
16	Base Rail for 5th Wheel Hitch (Not Included)	N/A	N/A	N/A	N/A	N/A	N/A	N/A	N/A	N/A	
17	Handle, Foam Grip	1			1					2	



Fifth Wheel Hitch Parts

16,000 lb. Capacity Fifth Wheel Hitch Parts (Black Series)

HITCHES

ELECTRICAL

ACCESSORIES

RUNNING GEAR

PARTS/DISPLAYS

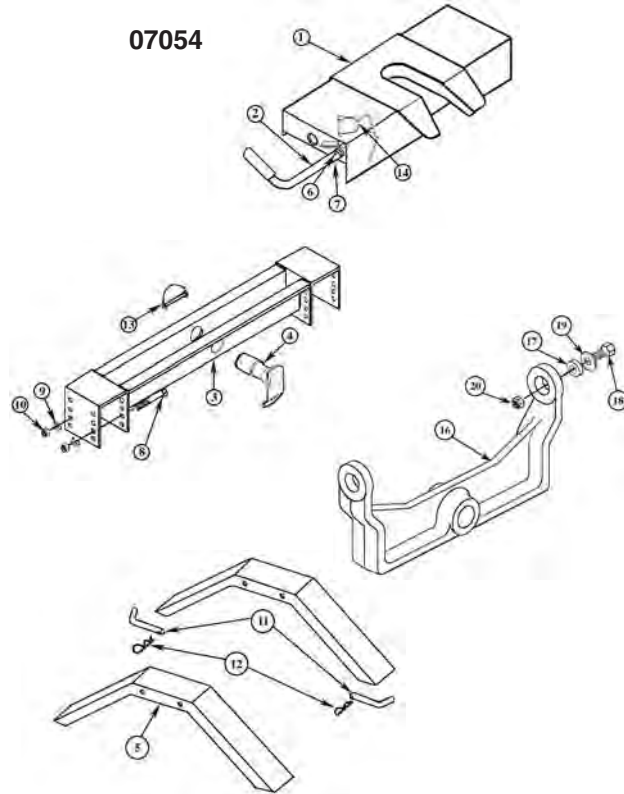
HUSKY INDEX

07054 16K FIFTH WHEEL HITCH

Ref. #	Part #	Description	Qty.
1	38746	Head Assembly	1
2	30532	Handle Assembly	1
3	39953	Cross Member Assembly 3-3/4" Wide	1
4	39951	Pivot Pin Assembly, 4-3/16" L	1
11	37088	1/2" x 4-1/2" Rail Hitch Pin	4
17	30555	Yoke Bushing (Limited Supply)	2
19	30558	3/4" Wide Flat Washer	2
20	30559	3/4" Nylon Lock Nut (Limited Supply)	2

NOTE: "Qty" is number used in entire hitch. Sold each.

07054

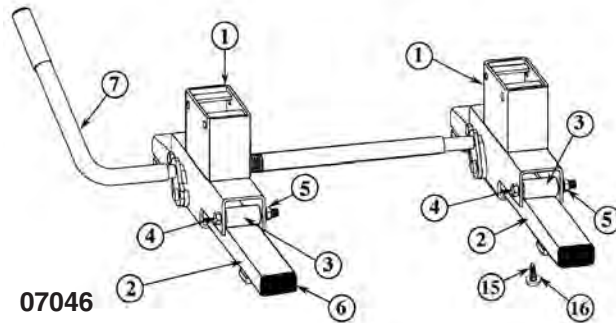


EZ Roller Parts (16K Fifth Wheel Hitch) (Black Series)

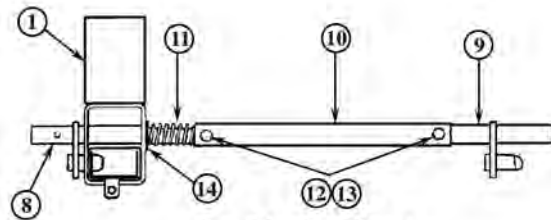
07046 16K EZ ROLLER PARTS

Ref. #	Part #	Description	Qty.
1	39952	Upright Assembly (Limited Supply)	2
7	30581	Handle Assembly	1
8	39948	Short Latching Rod (Limited Supply)	1
9	39949	Long Latching Rod (Limited Supply)	1
10	39947	Outer Tube (Limited Supply)	1

NOTE: "Qty" is number used in entire hitch. Sold each.



07046



Latching Rod Parts

Store Planograms

HUSKY
TOWING PRODUCTS



HUSKY TOWING LARGE STORE SET PLANOGRAM A

A broad selection of the Husky products arranged in a 48" x 72" wall unit with two shelves plus base shelf.



Ref.	Part #	Description	Qty.
1	13192	4-Way Flat Trailer End 12"	3
2	11952	Black Bracket 4, 5, 6 Way	3
3	14639	Plastic 7-Way Trailer end CD/1	3
4	13176	Multi Tow 7:6 & 4 Aux	2
5	13177	Multi Tow 7:6 & 4 Electric Brake	2
6	15432	Adapter 7 to 6 Round	3
7	38443	Receiver Cover 2" Press-In	2
8	39971	Husky Journey Brake Control	2
9	39565	Husky Journey HD Brake Control	2
10	13190	4-Way Flat Car end 12"	3
11	12016	4-Way Flat 24" Extension	3
12	14638	Plastic 7-Way Car end CD/1	3
13	13165	Multi Tow 7:4	2
14	13168	Adapter 6 to 4 Flat	3
15	15408	Adapter 7 to 4 Flat	3
16	18047	Black Bracket 7-9 Way	3
17	39857	Husky Excursion Brake Control	1
18	37434	Hitch Lube	2
19-21	34918	2" x 1" Trailer Ball	6
22-24	34924	2" x 1" Trailer Ball With Long Shank	6
25-26	34919	2-5/16" x 1" Trailer Ball	4
27-28	30255	2-5/16" x 1-1/4" Trailer Ball	4
29-30	30273	Pre-torqued Tow Kits 3 1/4" Drop - 2" x 1"	2
31-32	30267	Pre-torqued Tow Kits 2" Drop - 2 x 1"	2
33-34	30269	Pre-torqued Tow Kits 2" Drop - 1-7/8 x 1"	2
35-36	30266	5" Drop Ball Mount with Pin and Clip	2
37-38	30265	3" Drop Ball Mount with Pin and Clip	2
39-42	30264	2" Drop Ball Mount with Pin and Clip	4
43	069992	Pintle Hook Adapter 5-1/2" Drop	1
44	06990	Pintle Hook Adapter 9000#	1
45	06943	Pintle Hook Deep Drop 9000#	1
46	34903	Combo Bar 12 Inch	1

Ref.	Part #	Description	Qty.
47	06994	Lunette Eye - Plate Mt	1
48	06995	Pintle Hook 5.5 Ton	1
49-50	70070	Jack 5000# Top Wind	2
51	30334	Wheel Chock, Rubber - Bulk	2
52-53	85664	2000# Eclipse A Frame Jack	
54-55	33790	5/8" hitch pin w/clip	6
56	05263	Forged Slip Hook	2
57	05258	32" Safety Chain CL III	2
58	41465	Rapid Link 1/4" Pk/1	3
59	47177	Safety Lock Pin 1/4" x 3"	3
60	39594	Universal Coupler Lock	2
61	41466	Rapid Link 5/16" Pk/1	3
62	47173	Safety Lock Pin 5/16" x 2-3/4"	3
63-64	34818	5/8" hitch lock	6
65	39567	Universal Hitch Lock	3
66	57224	Safety Chain CD/1, 4'	3
67	41467	Safety Chain CD/1, 5'	3
68	47175	Safety Lock Pin 3/8 x 2-1/2"	3
69	39012	Interchangeable Hitch Ball 1" - 1-7/8 & 2"	2
70	39013	Interchangeable Hitch Ball 1" - 2 & 2-5/16"	2
71	57225	Safety Chain CD/1, 5'	3
72	41275	3/8" S Hook CD/2	3
73	17929	Husky Tow lights Magnetic	1
74	08038	Right Hand Sway Control Mount	1
75	07645	Triple Tow Ball Mount	1
76	38662	Double Tow Ball Mount	1
77	07512	Adjustable Ball Mount	1
78	06997	Pintle Hook W/Ball 2"	1
79	06998	Pintle Hook W/Ball 2-5/16"	1
80	34715	Right Hand Sway Control	1
81-82	30655	Swivel Jack Sidewind 1000#	2

HITCHES

ELECTRICAL

ACCESSORIES

RUNNING GEAR

PARTS/DISPLAYS

HUSKY INDEX



HUSKY TOWING MEDIUM STORE SET PLANOGRAM B

A broad selection of the Husky products arranged in a 48" x 72" wall unit with one shelf plus base shelf.



Ref.	Part #	Description	Qty.
1	13192	4-Way Flat Trailer end 12	3
2	11952	Black Bracket 4,5,6 Way	3
3	14639	Plastic 7-Way Trailer end CD/1	3
4	13176	Multi Tow 7:6 & 4 Aux	2
5	13177	Multi Tow 7:6 & 4 Electric Brake	2
6	15432	Adapter 7 to 6 Round	3
7	39971	Husky Journey Brake Control	2
8	33790	5/8" hitch pin w/clip	6
9	39567	Universal Hitch Lock	2
10	13190	4-Way Flat Car end 12"	3
11	12016	4-Way Flat 24" Extension	3
12	14638	Plastic 7-Way Car end CD/1	3
13	13165	Multi Tow 7:4	2
14	13168	Adapter 6 to 4-Flat	3
15	15408	Adapter 7 to 4-Flat	3
16	18047	Black Bracket 7-9 Way	3
17	34818	5/8" hitch lock	6
18	41275	3/8" S Hook CD/2	3
19-21	34918	2" x 1" Trailer Ball	6
22-24	34924	2" x 1" Trailer Ball With Long Shank	6
25-26	34919	2-5/16" x 1" Trailer Ball	4
27-28	30255	2-5/16" x 1-1/4" Trailer Ball	4
29	47177	Safety Lock Pin 1/4" x 3"	3
30	47173	Safety Lock Pin 5/16" x 2-3/4"	3
31	39012	Interchangeable Hitch Ball 1" - 1-7/8 & 2"	2
32	39013	Interchangeable Hitch Ball 1" - 2 & 2-5/16"	2
33	39594	Universal Coupler Lock	2
34	41465	Rapid Link 1/4" Pk/1	3
35	41466	Rapid Link 5/16" Pk/1	3
36	41467	Rapid Link 3/8" k/1	3
37	38443	Receiver Cover 2" Press-In	2
38	47175	Safety Lock Pin 3/8 x 2-1/2"	3
39	57225	Safety Chain CD/1, 5'	2
40	57224	Safety Chain CD/1, 4'	2
41	05258	32" Safety Chain CL III	2
42-43	30273	Pre-torqued Tow Kits 3-1/4" Drop - 2" x 1"	2
44-45	30267	Pre-torqued Tow Kits 2" Drop - 2 x 1"	2
46-47	30269	Pre-torqued Tow Kits 2" Drop - 1-7/8 x 1"	2
48-49	30266	5" Drop Ball Mount with Pin and Clip	2
50-51	30265	3" Drop Ball Mount with Pin and Clip	2
52-55	30264	2" Drop Ball Mount with Pin and Clip	4
56	30655	Swivel Jack Sidewind 1000#	1
57	70070	Jack 5000# Top Wind	1
58	85664	2000# Eclipse A Frame Jack	1
59	30334	Wheel Chock, Rubber - Bulk	2
60	34903	Combo Bar 12 Inch	1
61	38662	Double Tow Ball Mount	1
62	07645	Triple Tow Ball Mount	1
63	07512	Adjustable Ball Mount	1
	98548	07 Husky Catalog	1

HITCHES

ELECTRICAL

ACCESSORIES

RUNNING GEAR

PARTS/DISPLAYS

HUSKY INDEX

Store Planograms

HUSKY
TOWING PRODUCTS



SMALL STORE SET PLANOGRAM C

A selection of the top-selling Husky products arranged in a 4-foot planogram for easy setup and eye-catching customer appeal.



Sec	Part #	Description	Qty.
C-1	33790	5/8" Hitch Pin	2
C-2	34818	5/8" Hitch Lock	2
C-3	34869	Shin Protector	2
C-4	34521	1/2" Hitch Pin	2
C-5	34819	1/2" Hitch Lock	2
C-6	38958	Coupler Lock	2
C-7	39971	Journey Brake Controller	2
C-8	15404	6-Way to 4-Way Adapter	2
C-9	15406	7-Way to 4-Way Adapter Round	2
C-10	15408	7-Way to 4-Way Adapter Blade	2
C-11	39565	Journey HD Brake Controller	2
C-12	15432	7-Way to 6-Way Adapter	2
C-13	11822	7-Way to 5-Way Adapter	2
C-14	13168	6-Way to 4-Way Adapter	2
C-15	39857	Excursion Brake Controller	2
C-16	13173	4-Round to 4-Flat	2
C-17	13170	7-Way to 4-Way Adapter	2
C-18	13177	7-Way to 6-Way/4-Way Adapter	2
C-19	13165	7-Way to 4-Way Multi Tow Adapt.	2
C-20	33862	Fifth Wheel Disc 8"	2
C-21	34914	Fifth Wheel disc 10"	2
C-22	37434	Hitch Lube	2
C-23	38444	1.25" Rec. Cap Press In/Black	2
C-24	38443	2" Rec. Cap Press In/Black	2
C-25	38439	2" Rec. Cap Pin/Chrome	2
C-26	38440	2" Rec. Cap Pin/Black	2
C-27	39594	Universal Coupler Lock	2
C-28	38790	5th wheel Lock	2
C-29	34915	Ball 1-7/8" x 3/4"	2
C-30	34916	Ball 1-7/8" x 1"	2
C-31	34917	Ball 2" x 3/4"	2
C-32	34918	Ball 2" x 1"	2
C-33	34919	Ball 2-5/16" x 1"	2
C-34	30255	Ball 2-5/16" x 1.25"	2
C-35	30267	2" Ball w/2" drop Ball Mount	2
C-36	30269	1-7/8" Ball w/2" drop Ball Mount	2
C-37	30264	2" drop Ball Mount	2
C-38	30265	3.25" drop Ball Mount	2
C-39	38791	5th Wheel accessory Kit	2
C-40	65264	Step Stabilizer	2
C-41	34715	RH Sway Control	2
C-42	70045	Stack Jack (Bx/4)	2
C-43	70044	Stack Jack (Bx/2)	2
C-44	17929	Magnetic Tow Lights - Std	2
C-45	13818	Magnetic Tow Lights - LED	2

HITCHES

ELECTRICAL

ACCESSORIES

RUNNING GEAR

PARTS/DISPLAYS

HUSKY INDEX



HUSKY
TOWING PRODUCTS

Store Planograms

LARGE BRAKE PARTS STORE SET PLANOGRAM (48" x 72")

A broad selection of Husky Brake & Axle products arranged in a 48" x 72" wall unit with four shelves plus base shelf.

HITCHES

ELECTRICAL

ACCESSORIES

RUNNING GEAR

PARTS/DISPLAYS

HUSKY INDEX



Part #	Qty.
30784	1
30785	1
30786	1
30787	1
30788	1
30789	1
30790	1
30791	1
30792	1
30793	2
30794	2
30795	1
30796	1
30797	2
30798	2
30799	2
30800	2
30804	1
30806	1
30808	4
30811	4
30812	4
30813	4
30814	4
30815	4
30816	2
30817	2
30818	4
30819	4
30820	2
30821	2
30822	1
30823	1
30824	4
30825	4
30826	4
30827	2
30828	4
30829	4
30830	4



MEDIUM BRAKE PARTS STORE SET PLANOGRAM (48" x 54")

A broad selection of Husky Brake & Axle products arranged in a 48" x 54" wall unit or gondola, with two shelves plus base shelf.

Part #	Qty.	Part #	Qty.	Part #	Qty.
30784	1	30800	2	30820	1
30785	1	30808	4	30821	1
30786	1	30811	4	30822	1
30787	1	30812	4	30823	1
30788	1	30813	4	30824	4
30789	1	30814	4	30825	4
30793	2	30815	4	30826	4
30794	2	30816	2	30827	4
30797	2	30817	2	30828	4
30798	2	30818	4	30829	4
30799	2	30819	4	30830	4



SMALL (END CAP) BRAKE PARTS STORE SET PLANOGRAM (36" x 54")

A selection of Husky Brake & Axle products arranged in a 36" x 54" end cap or gondola, with two shelves plus base shelf.

Part #	Qty.	Part #	Qty.	Part #	Qty.
30788	1	30811	4	30821	1
30789	1	30812	4	30824	4
30793	2	30813	4	30825	4
30794	2	30814	4	30826	4
30797	2	30816	2	30827	4
30798	2	30817	2	30828	4
30799	2	30818	4	30829	4
30800	2	30819	4	30830	4
30808	4	30820	1		



HUSKY TOWING STORE SET PLANOGRAM

A selection of the top-selling Husky products arranged in a 4-foot planogram for easy setup and eye-catching customer appeal.



Sec	Part #	Description	Qty.	UOM
1 to 3	33790	5/8" hitch pin w/clip	6	PKG
4 to 6	34818	5/8" hitch lock	6	PKG
7 & 8	34918	2" x 1" trailer ball	6	PKG
9 & 10	34924	2" x 1" trailer ball w/long shank	6	PKG
11 & 12	34919	2-5/16" x 1" trailer ball	4	PKG
13 to 16	30264	2" drop ball mount w/pin & clip	4	BULK
17 & 18	30265	3" drop ball mount w/pin & clip	2	BULK
19 & 20	30266	5" drop ball mount w/pin & clip	2	BULK
21 & 22	30267	2" drop ball mount w/ 2" ball/pin & clip	2	BULK
23	07645	ball mount triple tow	1	BULK
24 & 25	30273	3" drop ball mount w/ 2" ball/pin & clip	2	BULK

HITCHES

ELECTRICAL

ACCESSORIES

RUNNING GEAR

PARTS/DISPLAYS

HUSKY INDEX



HUSKY LED Trailer Light Display

Counter display for the Husky LED Trailer Lights. Display includes one each: **17806** 6" Stop/Turn/Tail Light; **17548** Mini LED Clearance/Marker Light; **17464** 2" Round LED Clearance/Marker Light; **17459** Mini LED Clearance/Marker Light; and **17495** 6-Diode LED Clearance/Marker Light.



Description	Part #
LED Light Display (Limited Supply)	98660

Husky Weight Distributing Hitch and Center Line Display Stand

This display is designed for use with all Husky Weight Distribution Hitches including round bar, square bar and Center Line models. Its silver/gray powder coat finish is a great contrast to the hitches. Some assembly is required (5 min). The display is approximately 48" Lx38" W and the hitches are sold separately.



Description	Part #
Weight Distribution Display Stand	98658



Husky Display Posters & Literature

HUSKY CENTER LINE Hitch Retail Poster

Helps you advertise the Husky Center Line Towing System. Hang it, or use the optional stand.

HUSKY Retail Poster

Helps you advertise the Husky Towing line. Hang it, or use the optional stand.

HUSKY Hitch Brochures

Packs of 25 brochures for handouts and to keep with your displays of Husky hitches.

Description	Part #
Center Line Poster, Free Standing 23.6" W x 63" H (60cm x 160cm)	98664
Husky Towing Poster, Free Standing 23.6" W x 63" H (60cm x 160cm)	98584
Display Stand for Poster	98581
Center Line Hitch Brochure, Pk/25	98663